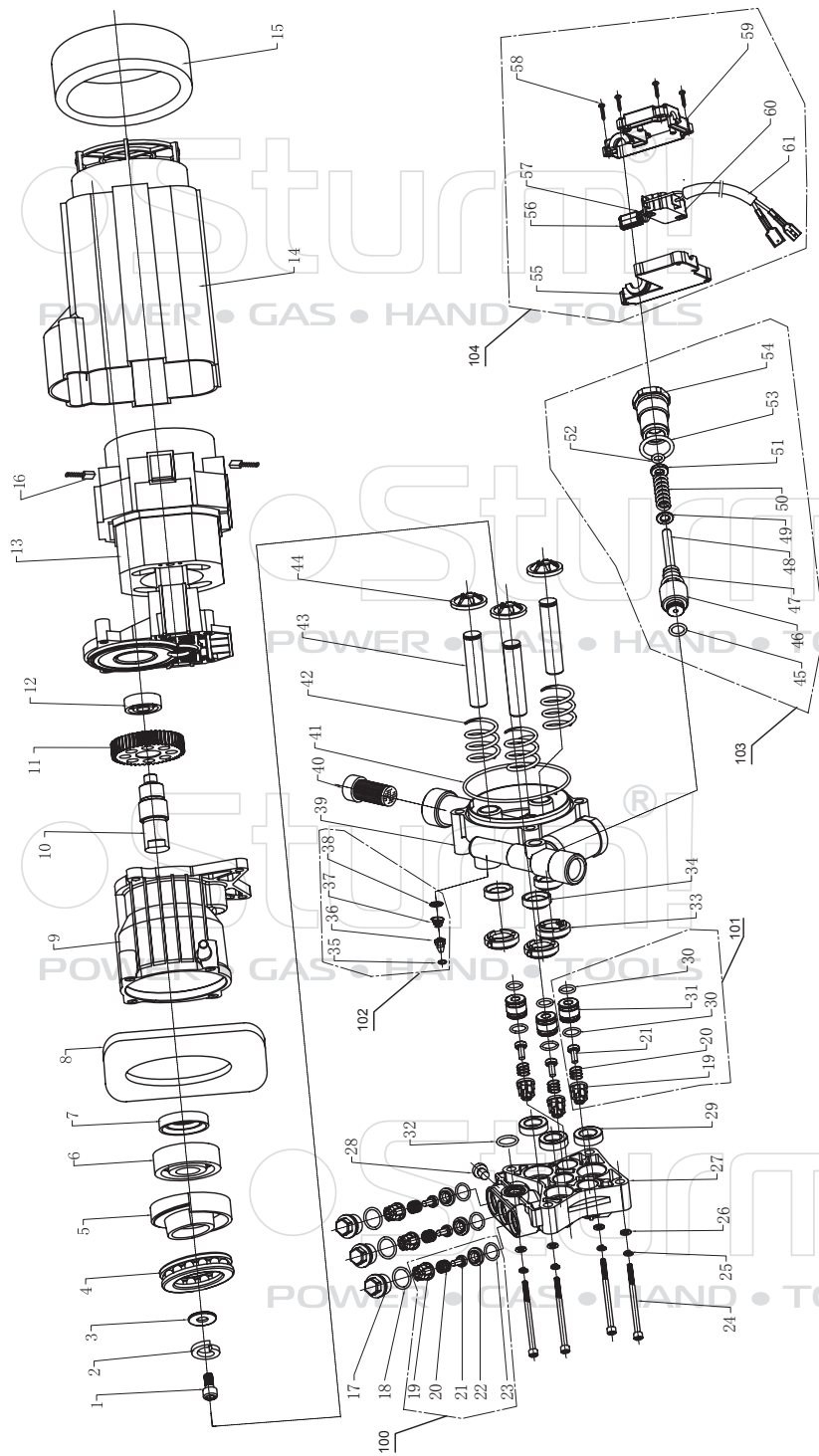


PW9219

NO.	DESCRIPTION
1	SCREW
2	HOSE HOOK
3	HANDLE
4	CAPACITOR
5	SWITCH BOX
6	SCREW
7	DETERGENT TANK
8	SWITCH
9	CORD HOOK
10	LANCE HOOK
11	SPRAY GUN
12	LANCE
13	HIGH PRESSURE HOSE
14	LABEL
15	WATER INLET CONNECTOR
16	WHEEL
17	HOUSING
18	WHEEL COVER
19	OUTLET WATER COVER
20	PUMP + MOTOR
21	DAMPING BLOCK
22	INLET WATER COVER
23	CORD & PLUG
24	HOUSING COVER

ST20120109



PUMP FOR PW9219

NO.	DESCRIPTION	NO.	DESCRIPTION
1	SCREW	34	PISTON OIL SEALING
2	SPRING WASHER	35	O RING
3	FLAT WASHER	36	MAIN VALVE CORE
4	THRUST BALL BEARING	37	TOWER SPRING
5	WOBBLE DISC	38	SPRING BASE
6	BEARING 6303Z	39	PUMP BODY
7	OIL SEALING	40	WATER INLET FILTER
8	FRONT MOTOR FILTER	41	O RING
9	OIL TANK	42	PISTON SPRING
10	GEAT SHAFT	43	PISTON
11	GEAR	44	SPRING CHUCK
12	BEARING 629Z	45	O RING
13	MOTOR	46	VALVE COVER
14	MOTOR COVER	47	O RING
15	BACK MOTOR FILTER	48	VAVLE CORE
16	CARBON BRUSH	49	STOP RING
17	VALVE NUT	50	SPRING
18	O RING	51	BRASS WASHER
19	VALVE SUPPORT	52	O RING
20	VALVE SPRING	53	O RING
21	VALVE CORE	54	SCREW NUT
22	VALVE BASE	55	MICRO SWITCH LOW COVER
23	O RING	56	MICRO SWITCH NOB
24	SCREW	57	SPRING
25	SPRING WASHER	58	SCREW
26	FLAT WASHER	59	MICRO SWITCH UP COVER
27	PUMP HEAD	60	MICRO SWITCH
28	SCREW	61	MICRO SWITCH CORD
29	Y RING	100	OUTLET ONE WAY VALVE
30	O RING	101	INLET ONE WAY VALVE
31	INLET VALVE BASE	102	MAIN ONE WAY VALVE
32	O RING	103	OVER FLOW VALVE
33	SEALING SUPPORT	104	MICRO SWITCH ASSEMBLY

ST20120109